

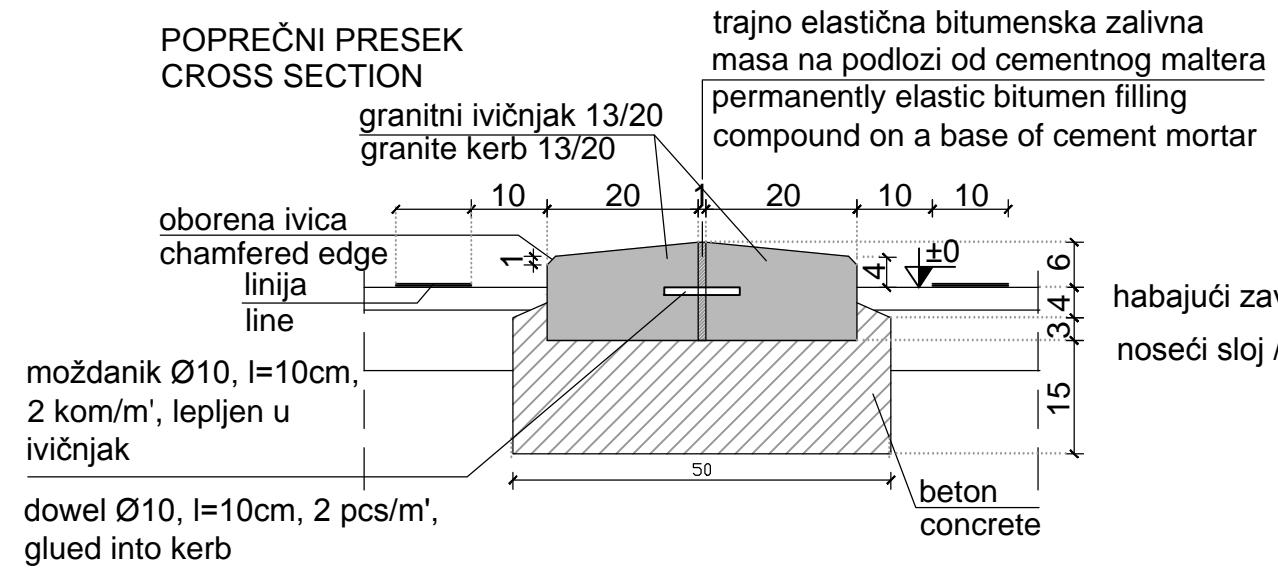
# DETALJ IVIČNJAKA ZA SPREČAVANJE PREPLITANJA

GRANITNI IVIČNJAK - polaganje na temelj (L=45cm)

## DETAIL DRAWING OF A KERB FOR PREVENTING INTERWEAVING

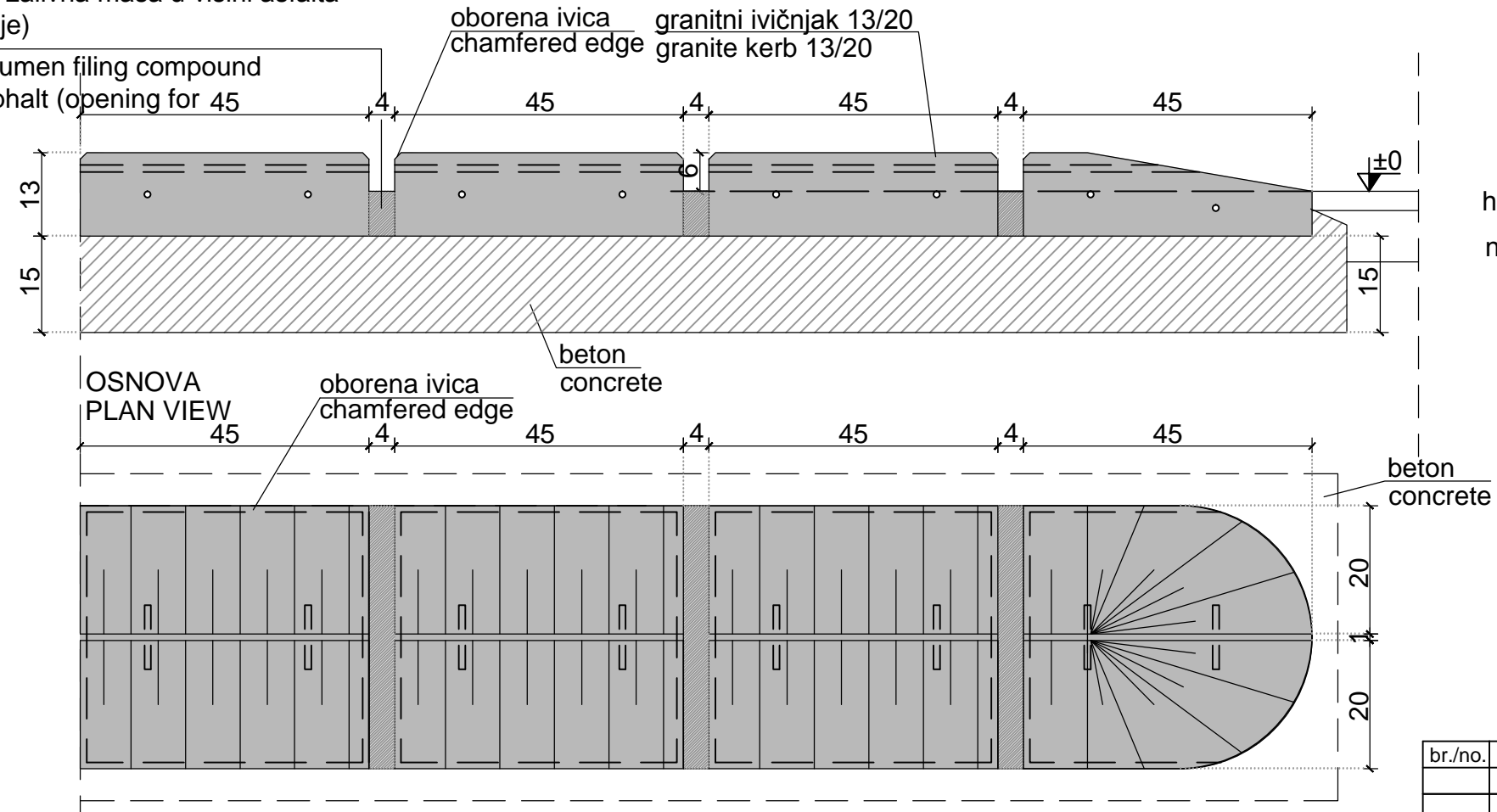
GRANITE KERB - placed on foundation (L=45cm)

POPREČNI PRESEK  
CROSS SECTION



PODUŽNI PRESEK  
LONGITUDINAL SECTION

trajno elastična bitum. zalivna masa u visini asfalta  
(otvor za odvodnjavanje)  
permanently elastic bitumen filling compound  
at the height of the asphalt (opening for 45  
drainage)



habajući završni sloj / wearing finishing layer  
noseći sloj / load-wearing layer

br./no.	promena/change	datum/date	ime/name

kljijent/client:



naslov/title:

SRSDD Standardni crteži putnih detalja u Republici Srbiji  
SRSDD Serbian road standard detail drawings

crtež/drawing:

Detalj ivičnjaka za sprečavanje preplitanja, L=45cm  
Detail drawing of kerb for preventing interweaving, L=45cm

razmera/scale: 1:10

datum/date: 30.04.2012

strana/page: 3.1