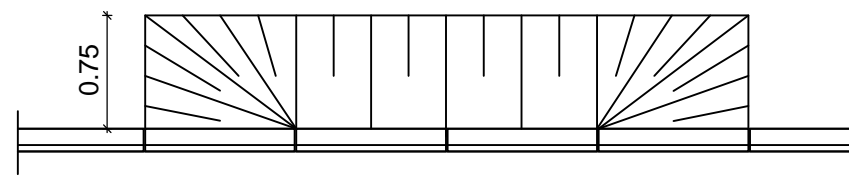
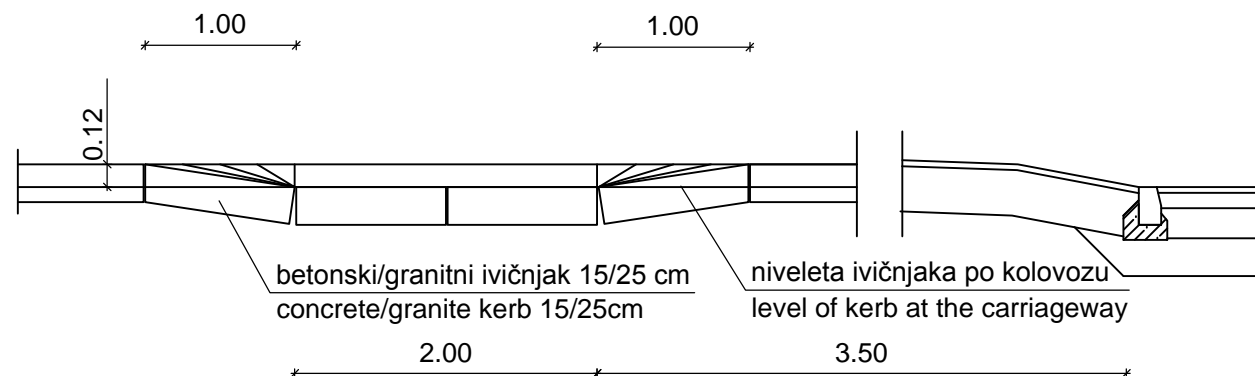


OSNOVA
PLAN VIEW

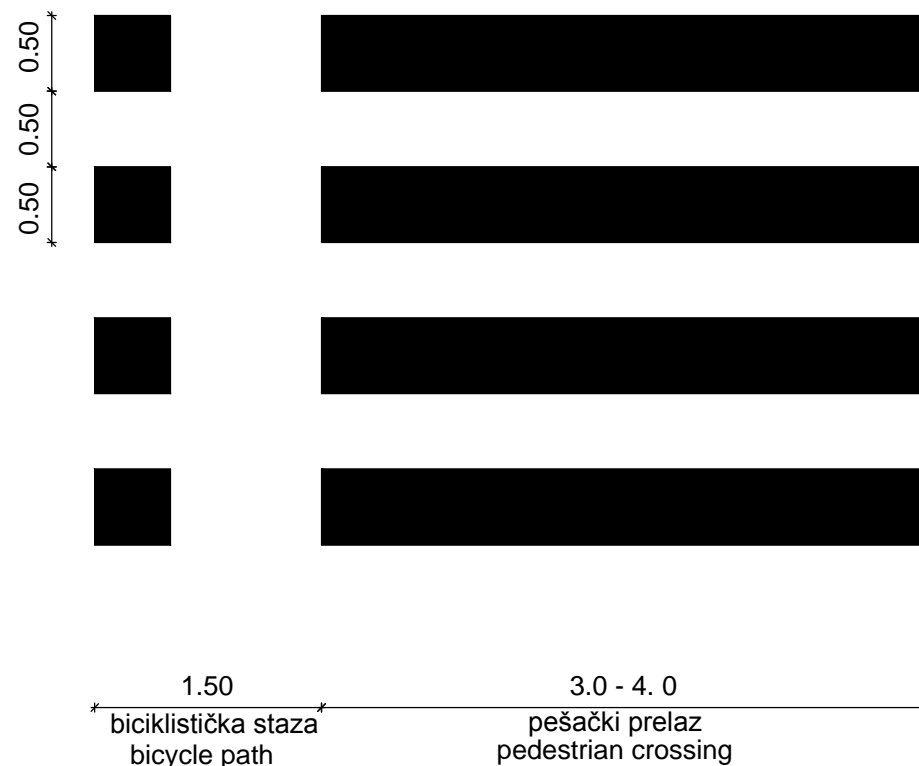


PODUŽNI PRESEK KROZ IVIČNJAK
LONGITUDINAL SECTION THROUGH KERB

POPREČNI PRESEK
CROSS SECTION



OSNOVA PRELAZA
PLAN VIEW OF CROSSING



br./no.	promena/change	datum/date	ime/name

klijent/client: 

naslov/title:
SRSDD Standardni crteži putnih detalja u Republici Srbiji
SRSDD Serbian road standard detail drawings

crtež/drawing:
Detalj prelaza biciklističke staze i pešačkog koridora preko kolovoza
Detail drawing of cycle path and pedestrian crossing over carriageway

razmera/scale: 1:50 datum/date: 30.04.2012 strana/page: 3.5