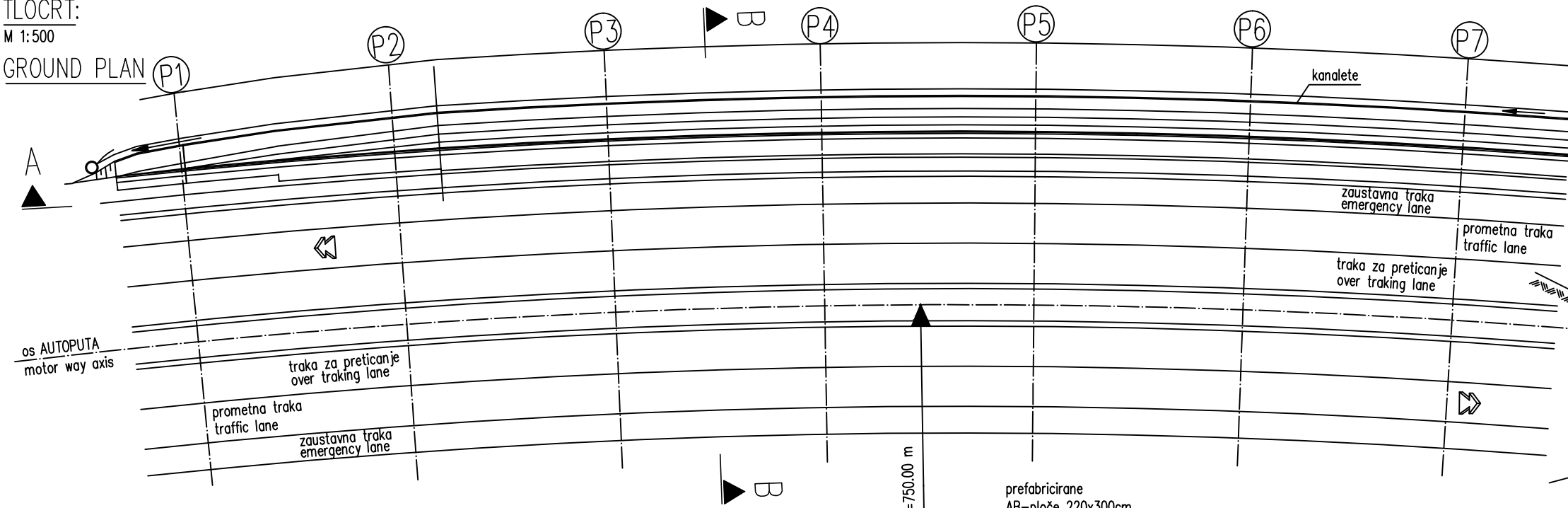
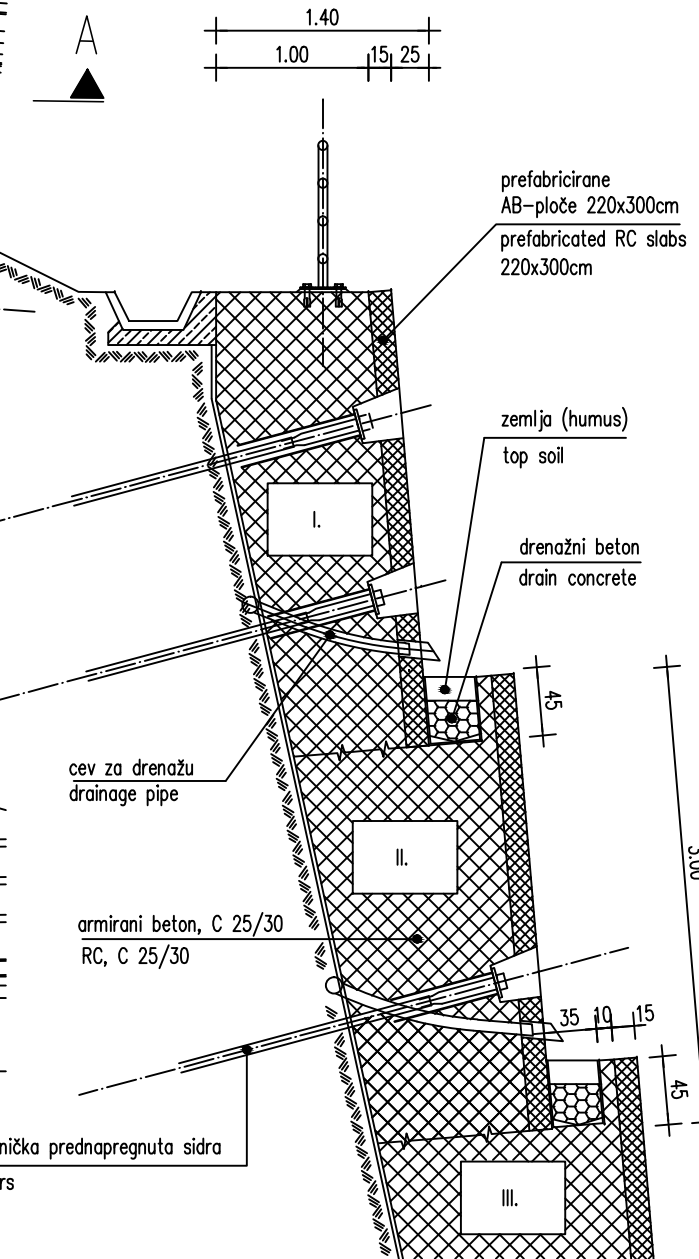


TLOCRT:  
M 1:500

GROUND PLAN



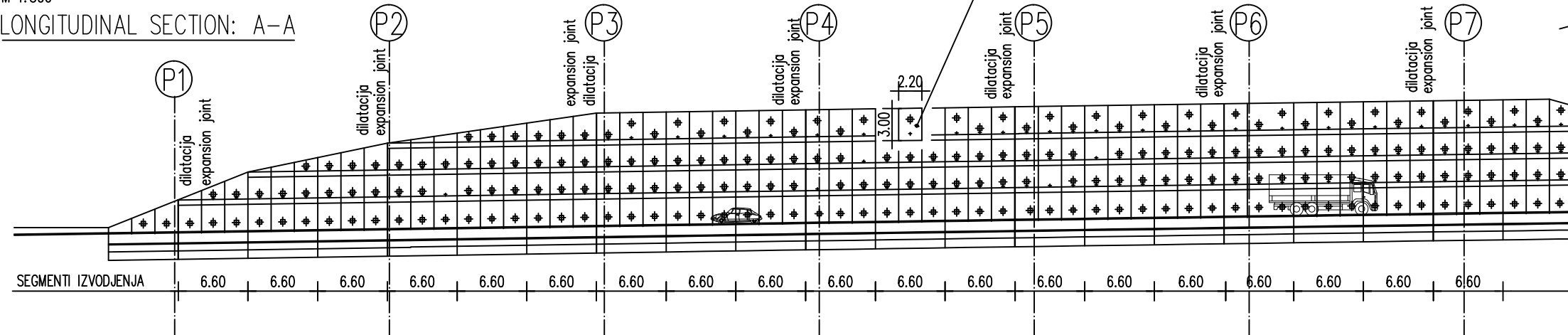
DETALJ (DETAIL): "D1"  
M 1:50



PODUŽNI PRESEK: A-A

M 1:500

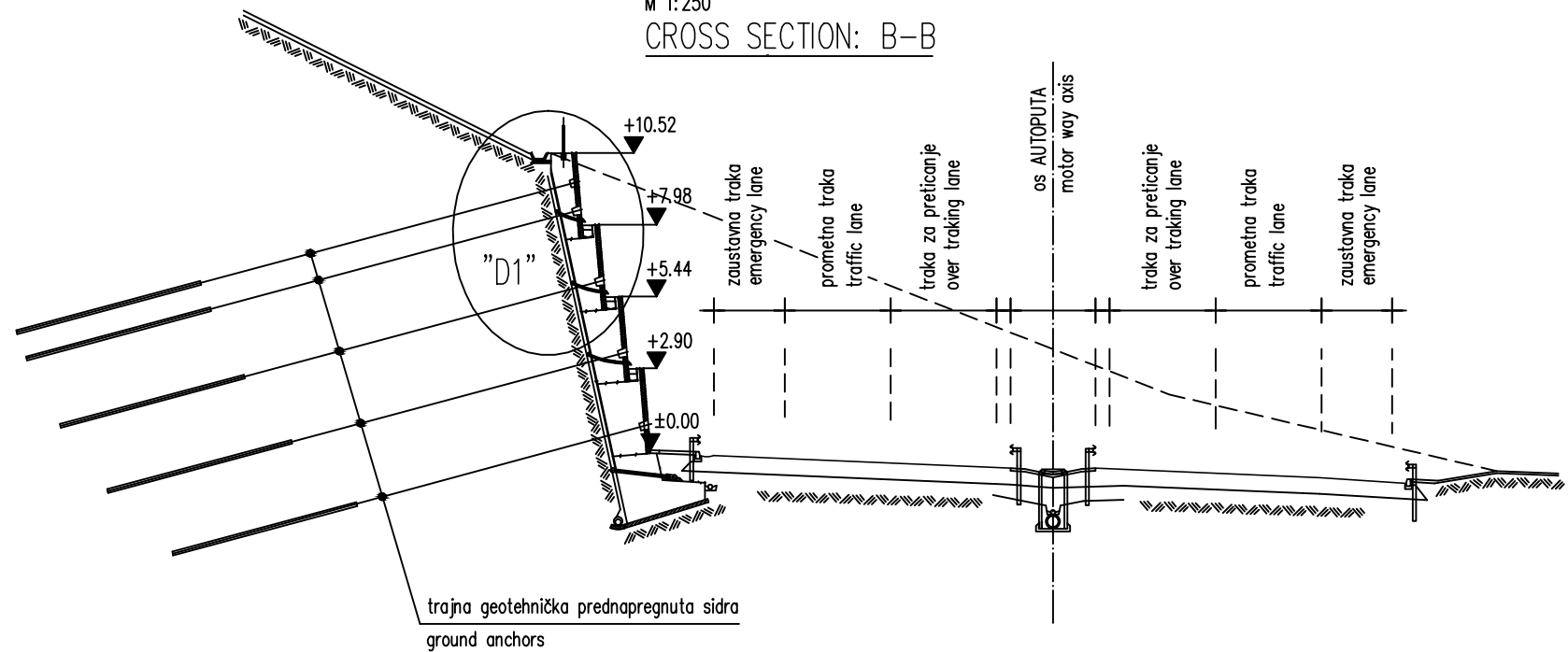
LONGITUDINAL SECTION: A-A



POPREČNI PRESEK: B-B

M 1:250

CROSS SECTION: B-B



br./no.	promena/change	datum/date	ime/name

klijent/client:			
naslov/title:		SRSDD Standardni crteži putnih detalja u Republici Srbiji SRSDD Serbian road standard detail drawings	
crtež/drawing:		Armiranobetonski ankerisani zid građen od vrha prema temelju Reinforced concrete anchored wall built from the top down	