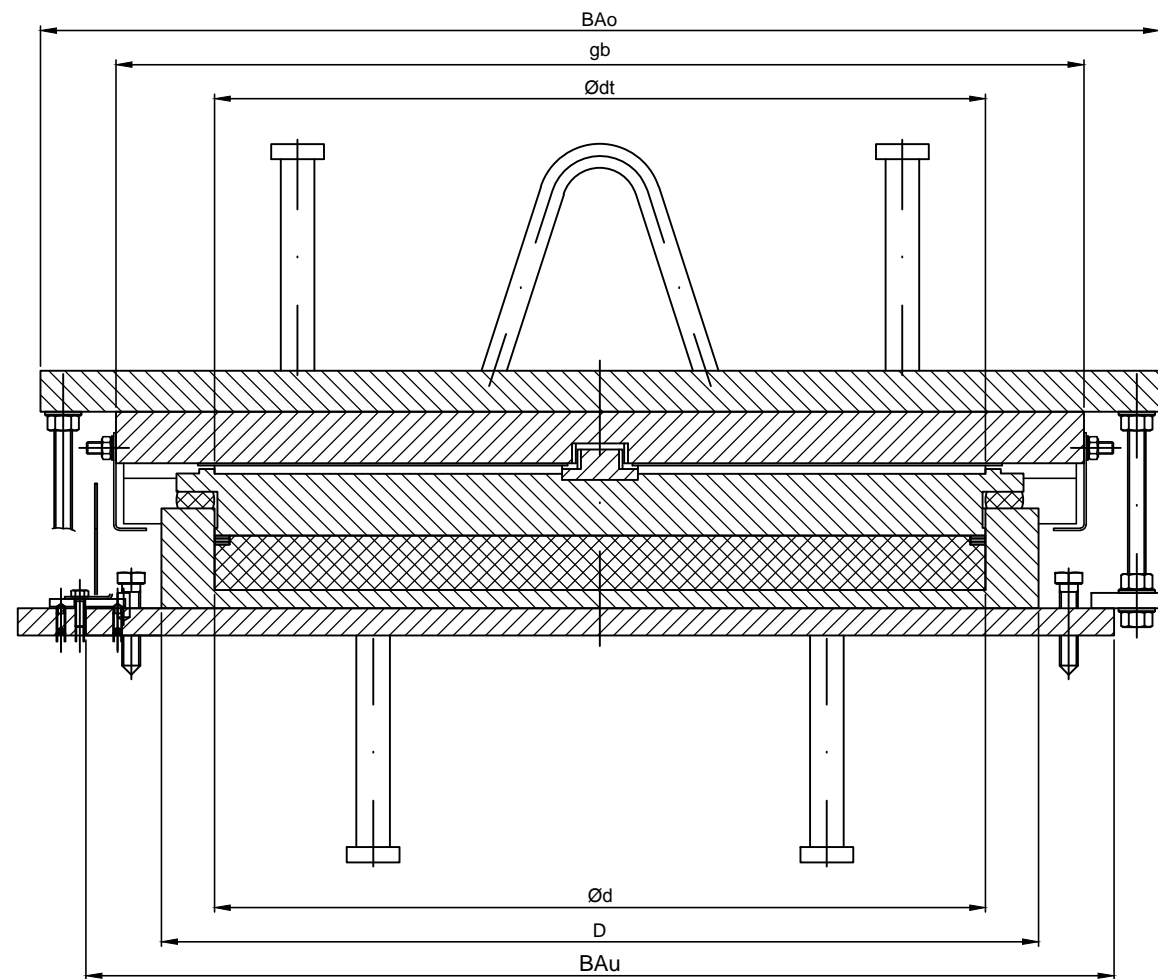
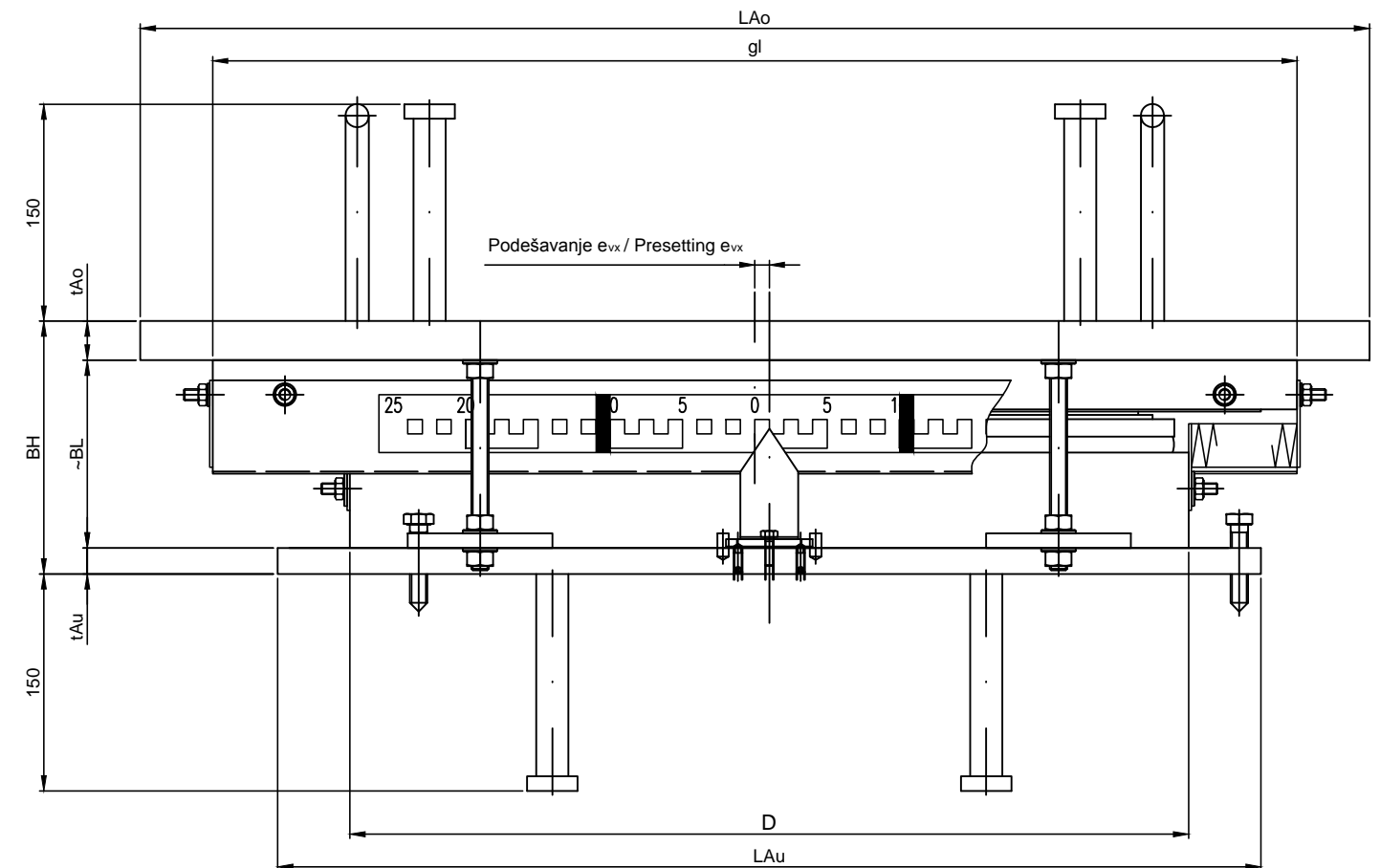


Lončasto ležište prema EN 1337-5 / Pot bearing according to EN 1337-5

Poprečna smer / Transersal direction



Glavna smer / Main direction



Legenda / Legend:

Videti stranu 2/2
See page 2/2

Autorsko pravo/Copyright:
RW Engineering GmbH, Wels, Austria

br./no.	promena/change	datum/date	ime/name

klijent/client:			
naslov/title: SRSDD Standardni crteži putnih detalja u Republici Srbiji SRSDD Serbian road standard detail drawings			
crtež/drawing: Detalj lončastog ležišta prema EN 1337-5 Detail of pot bearing according to EN 1337-5			
razmera/scale: 1:5	datum/date: 30.04.2012	strana/page: 6.17.1	