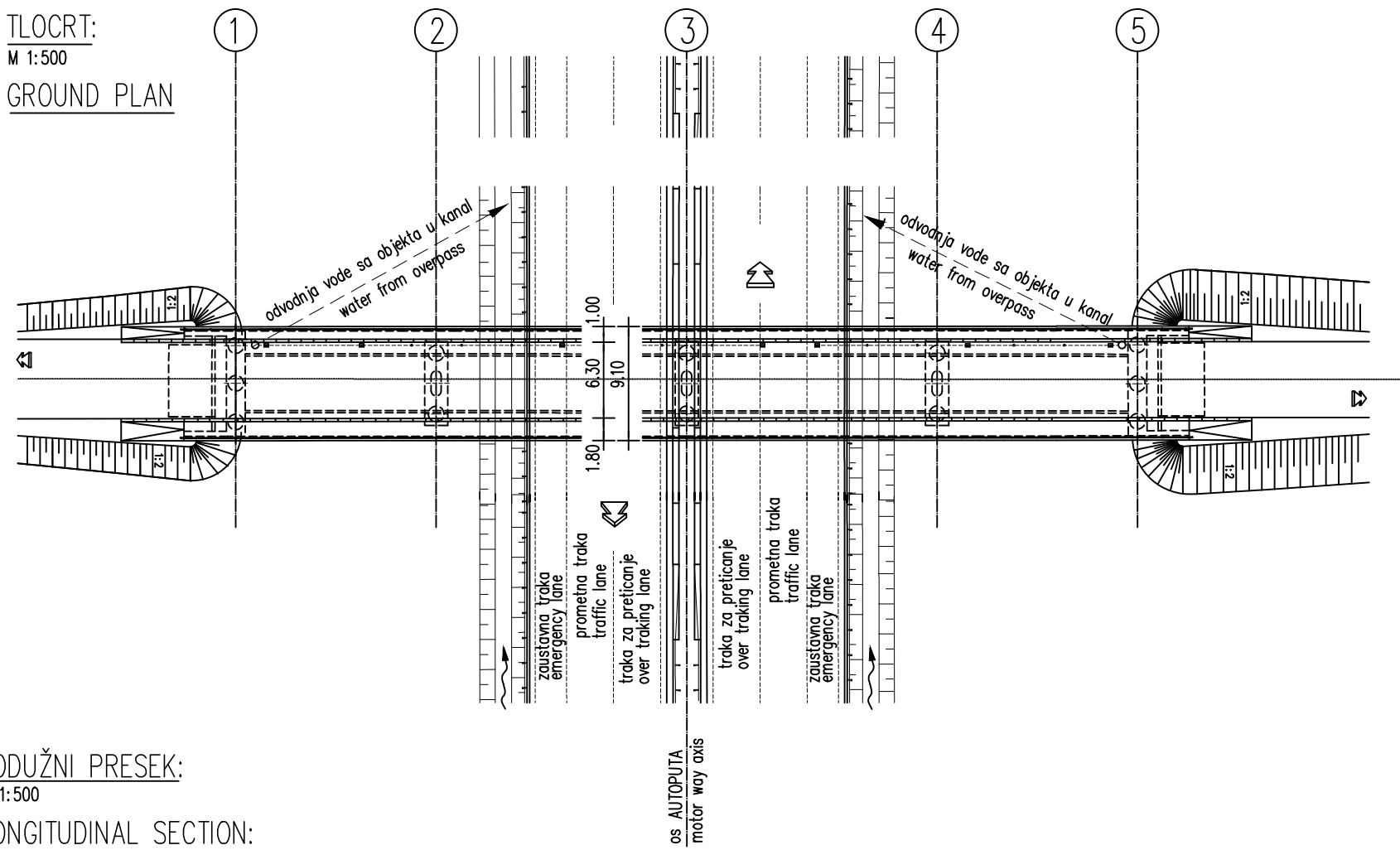
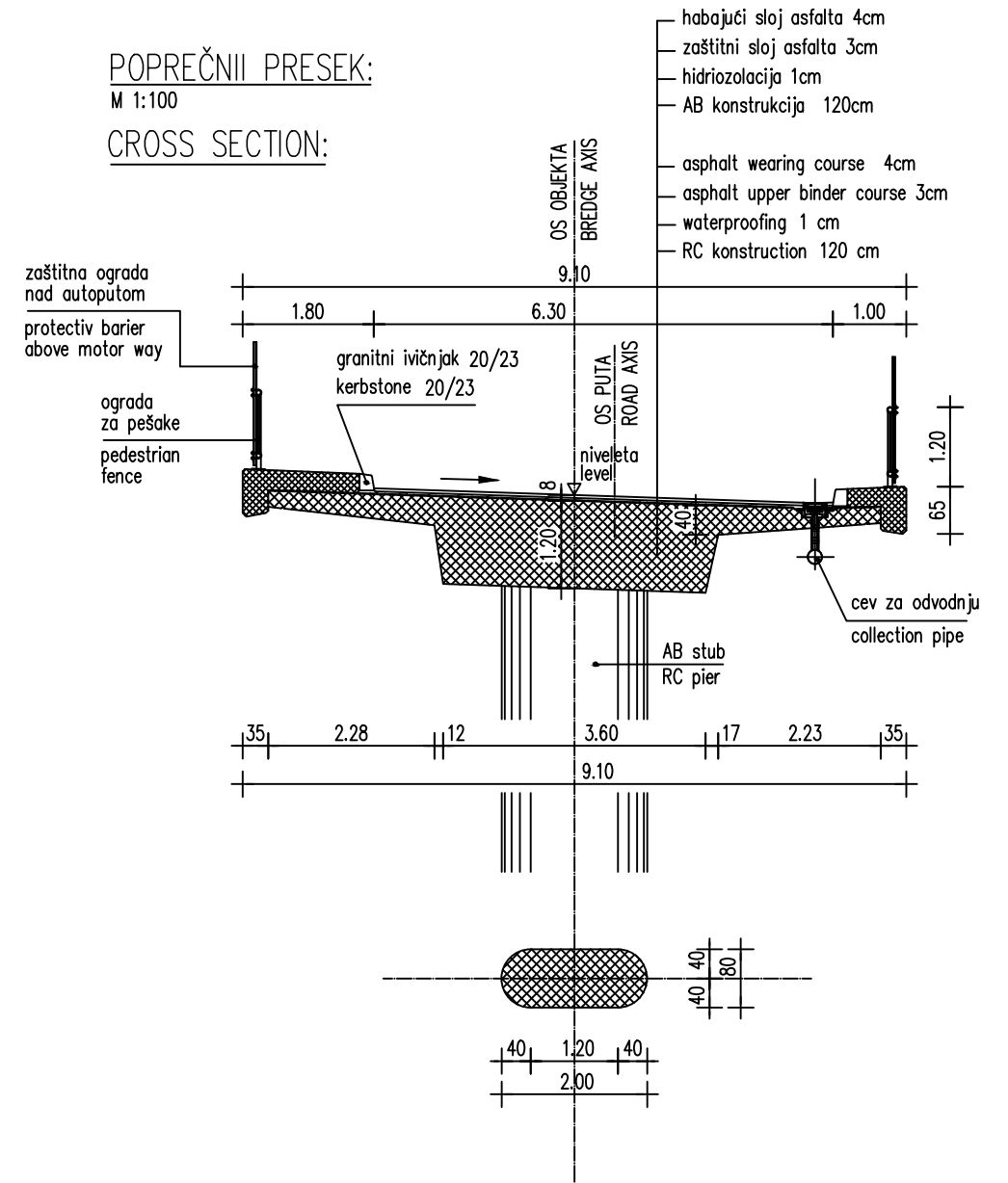


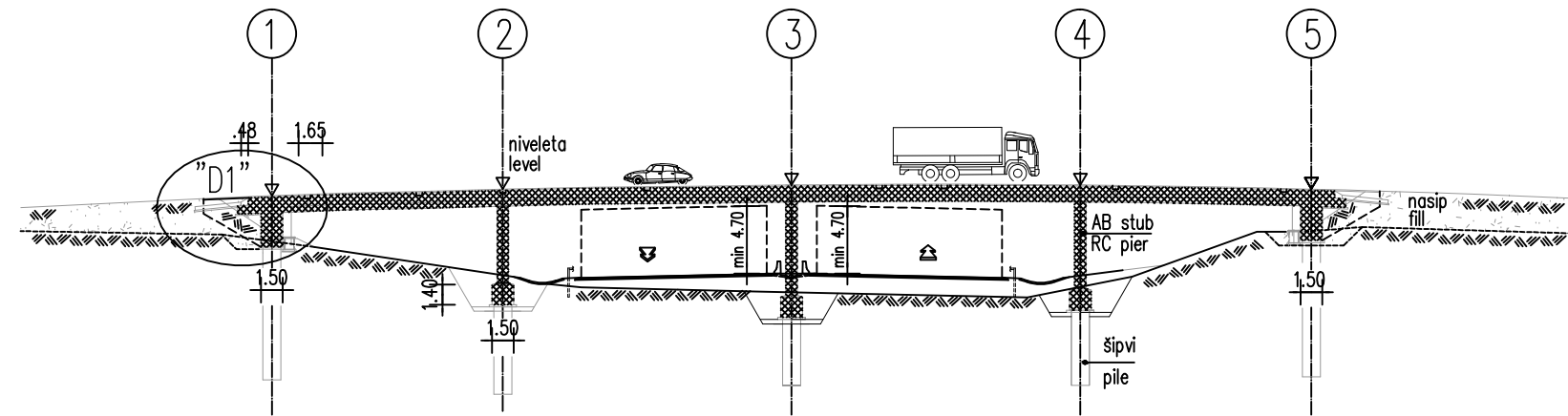
TLOCRT:
M 1:500
GROUND PLAN



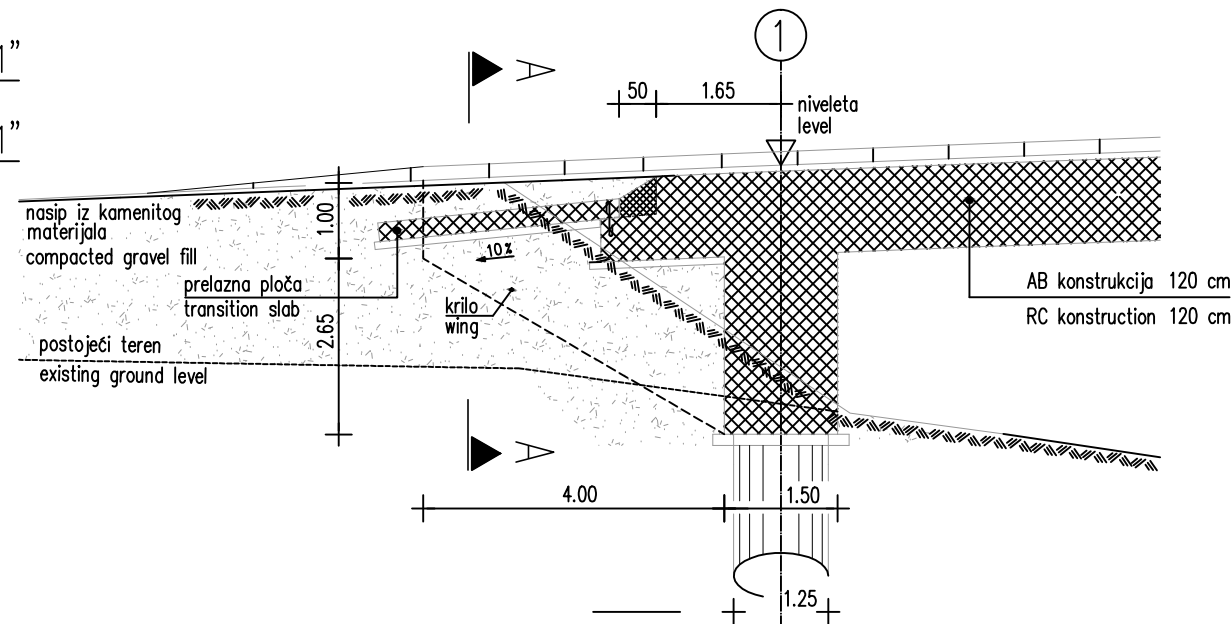
POPREČNI PRESEK:
M 1:100
CROSS SECTION:



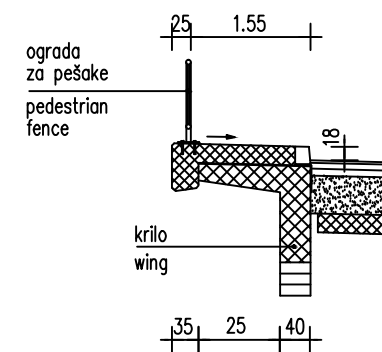
PODUŽNI PRESEK:
M 1:500
LONGITUDINAL SECTION:



DETALJ: "D1"
M 1:100
DETALJ: "D1"



PRESEK (SECTION): A-A
M 1:100



br./no.	promena/change	datum/date	ime/name

Klijent/client:

naslov/title: SRSDD Standardni crteži putnih detalja u Republici Srbiji
SRSDD Serbian road standard detail drawings

crtež/drawing: Armiranobetonski integralni nadvožnjak za magistralne i regionalne puteve
Reinforced concrete integral overpass for main and regional roads

merilo/scale: 1:500,100 datum/date: 30.04.2012 strana/page: 6.3