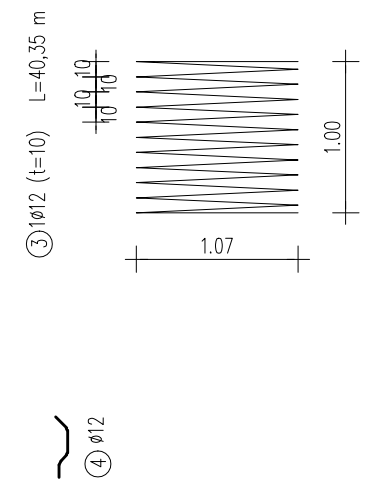
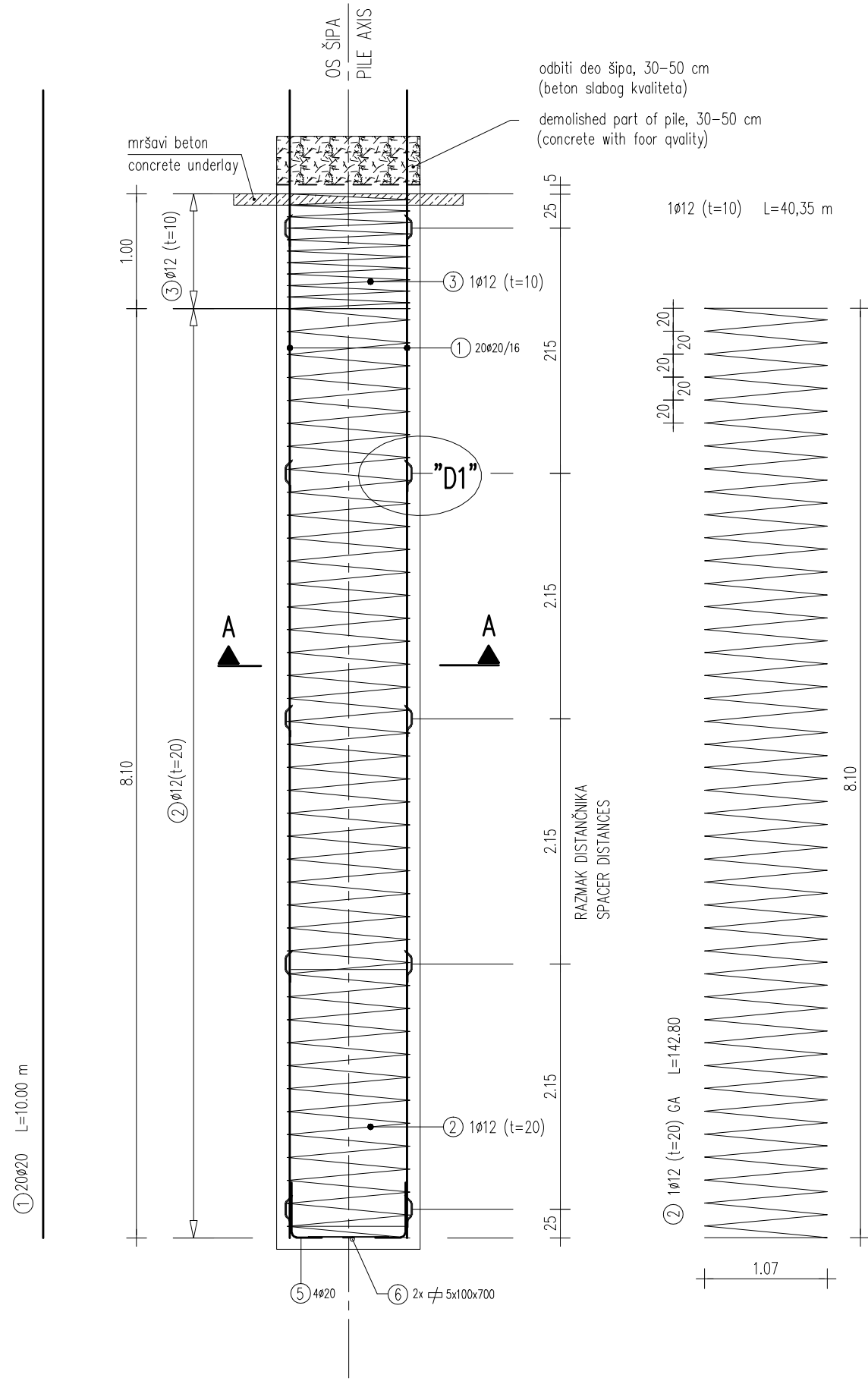
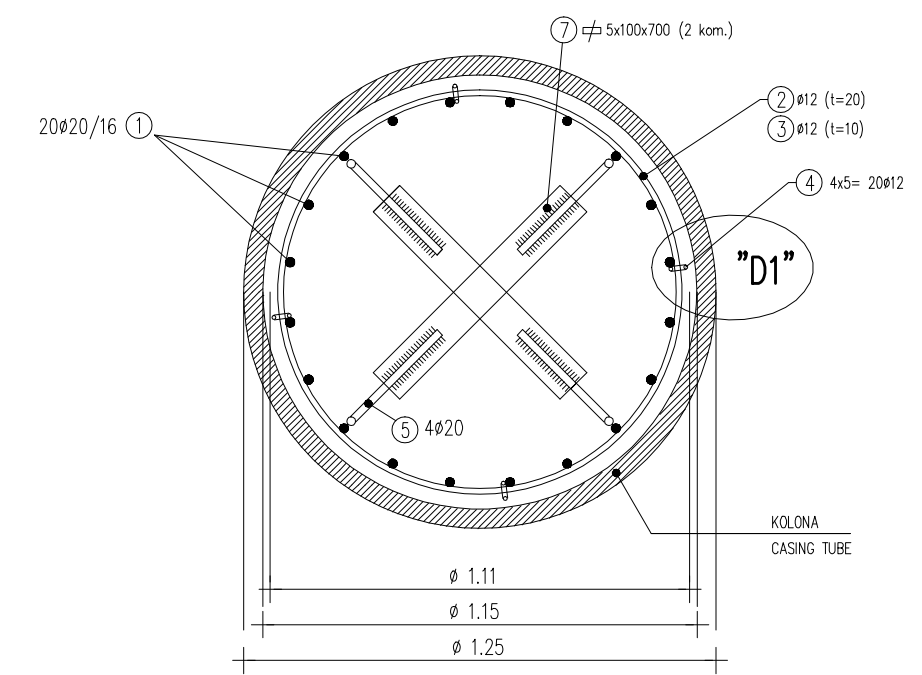
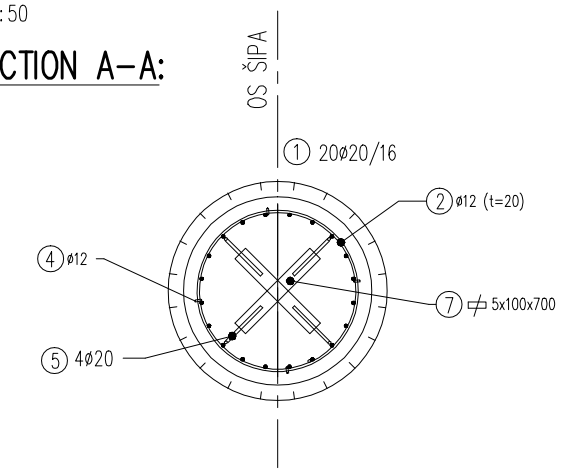


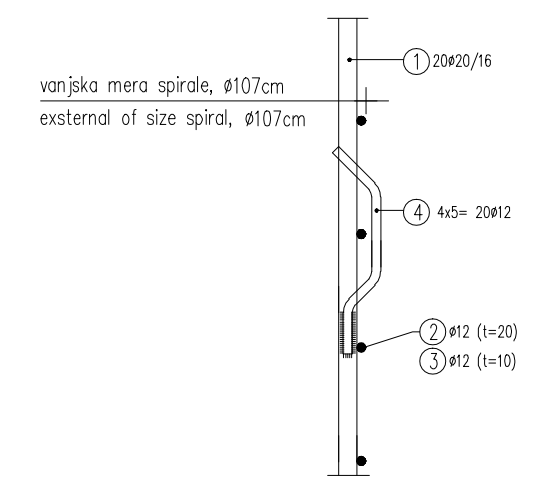
TEHNOLOŠKI DETALJ ŠIPA:
M 1:20
TECHNOLOGICAL PILE DETAIL:



PRESEK A-A:
M 1:50
SECTION A-A:



DETALJ: "D1"
M 1:10
DETALJ: "D1"



br./no.	promena/change	datum/date	ime/name

klijent/client:


naslov/title:
SRSDD Standardni crteži putnih detalja u Republici Srbiji
SRSDD Serbian road standard detail drawings

crtež/drawing:
Armatura šipa
Pile reinforcement

merilo/scale: 1 : 50, 20, 10 **datum/date:** 30.04.2012 **strana/page :** 6.7