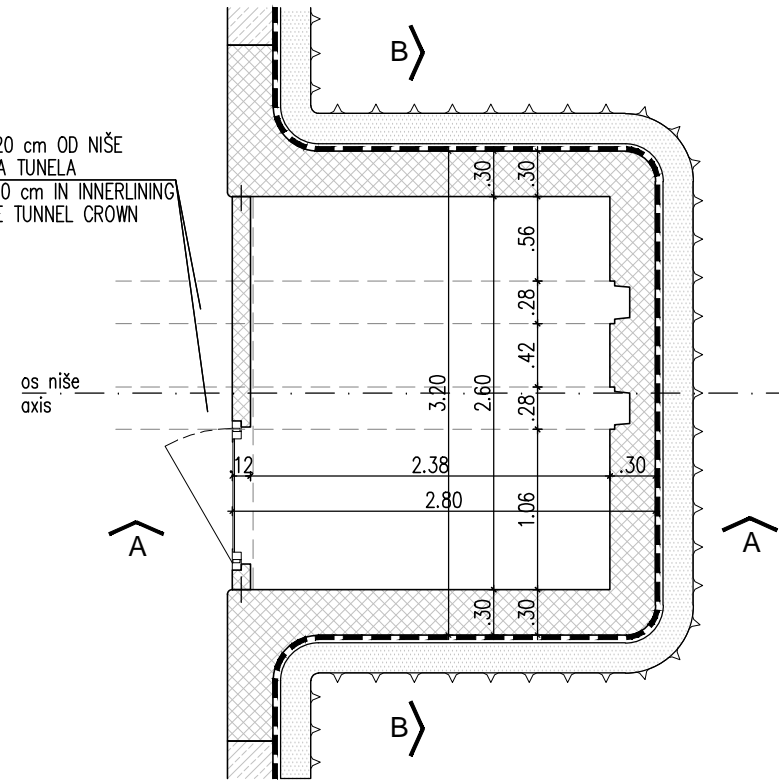


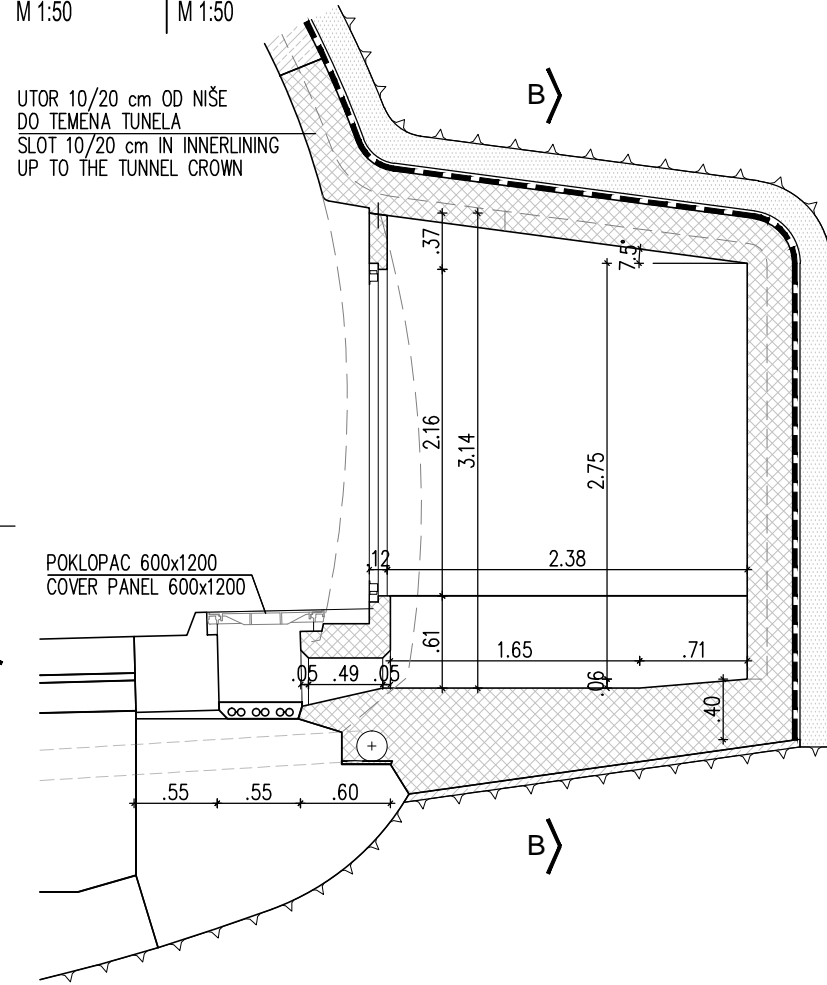
ELEKTRO NIŠA | **ELECTRO NICHE**
TLOCRT | **PLAN VIEW**
 M 1:50 | M 1:50

UTOR 10/20 cm OD NIŠE
 DO TEMENA TUNELA
 SLOT 10/20 cm IN INNERLINING
 UP TO THE TUNNEL CROWN

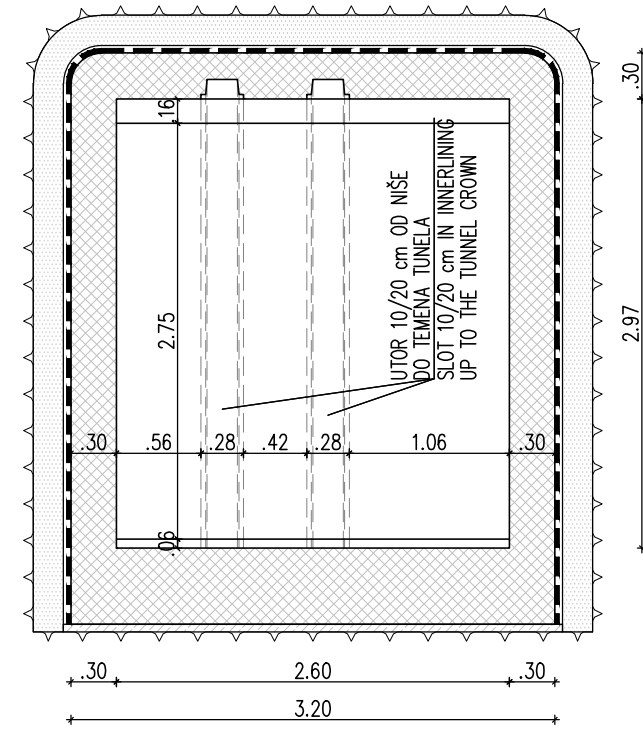


PRESEK A-A | **CROSS SECTION A-A**
 M 1:50 | M 1:50

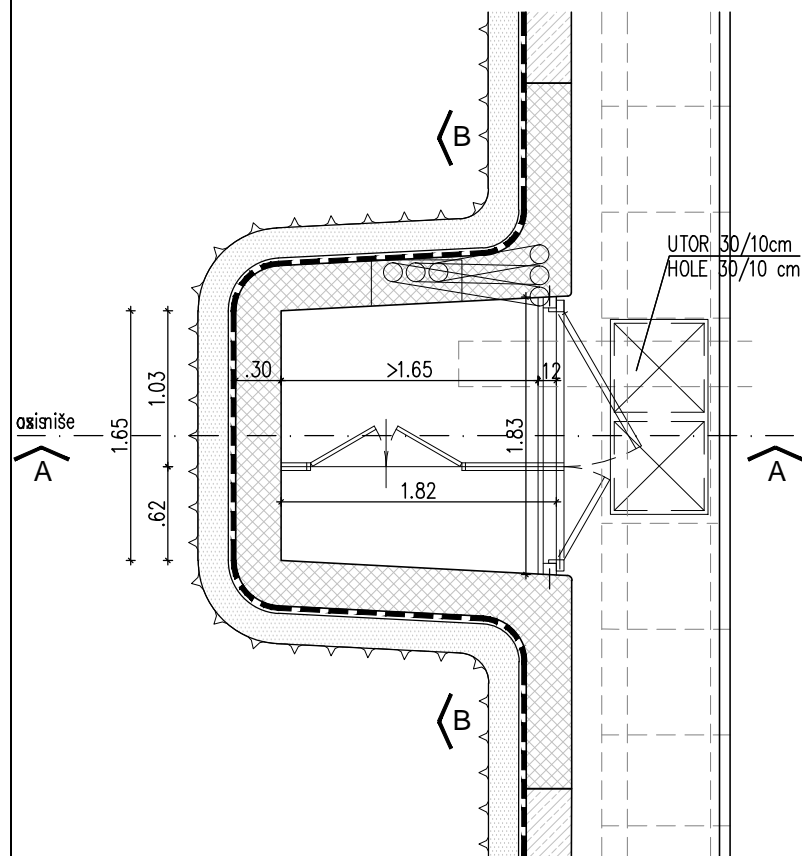
UTOR 10/20 cm OD NIŠE
 DO TEMENA TUNELA
 SLOT 10/20 cm IN INNERLINING
 UP TO THE TUNNEL CROWN



PRESEK B-B | **CROSS SECTION B-B**
 M 1:50 | M 1:50

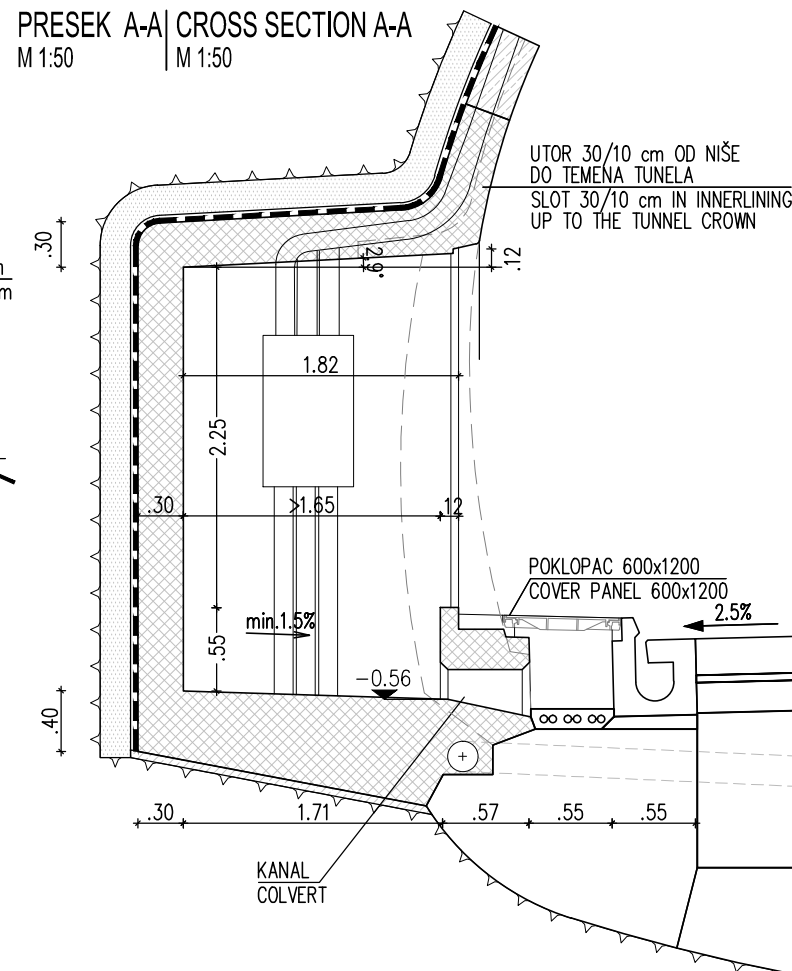


NIŠA ZA SOS POZIVE - SOS | **EMERGENCY CALL NICHE - SOS**
TLOCRT | **PLAN VIEW**
 M 1:50 | M 1:50



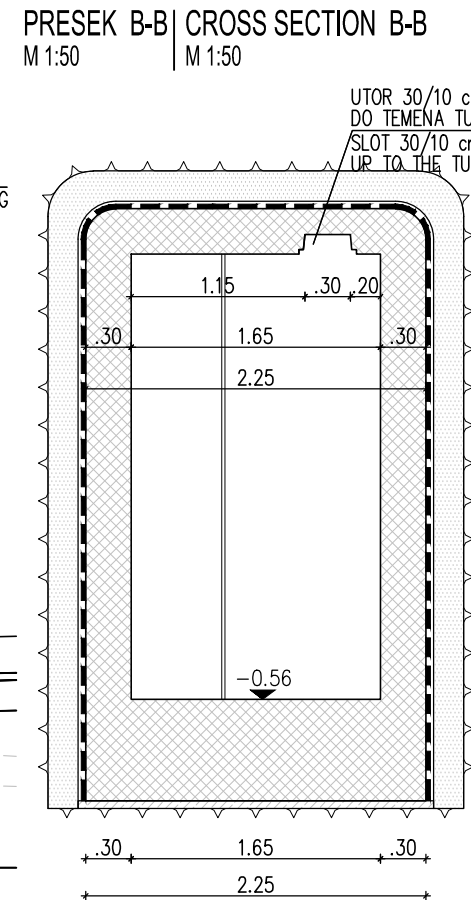
PRESEK A-A | **CROSS SECTION A-A**
 M 1:50 | M 1:50


UTOR 30/10 cm OD NIŠE
 DO TEMENA TUNELA
 SLOT 30/10 cm IN INNERLINING
 UP TO THE TUNNEL CROWN



PRESEK B-B | **CROSS SECTION B-B**
 M 1:50 | M 1:50

UTOR 30/10 cm OD NIŠE
 DO TEMENA TUNELA
 SLOT 30/10 cm IN INNERLINING
 UP TO THE TUNNEL CROWN



br./no.	promena/change	datum/date	ime/name
Klijent/client: 			
naslov/title: SRSDD Standardni crteži putnih detalja u Republici Srbiji SRSDD Serbian road standard detail drawings			
crtež/drawing:		Niše Niches	
razmera/scale: 1:50	datum/date: 30.04.2012	strana/page: 7.8.2	